

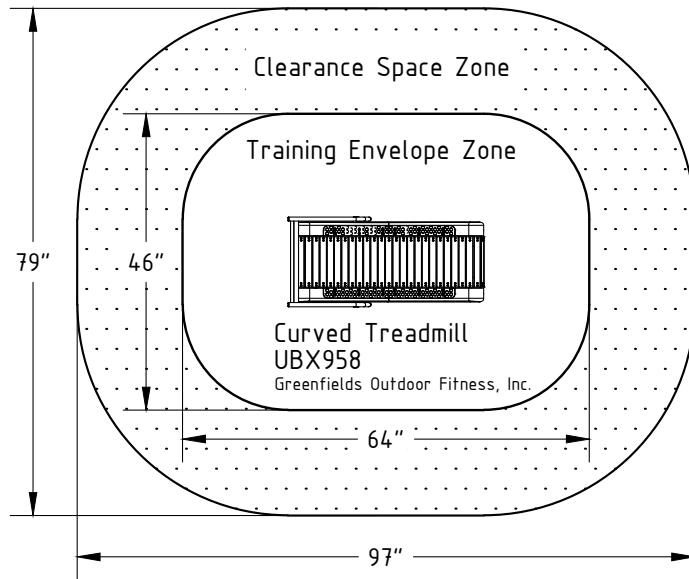


**See it in
your space!**

Greenfields offers custom site design, helping ensure you best utilize the available area to maximize benefits to the end users.



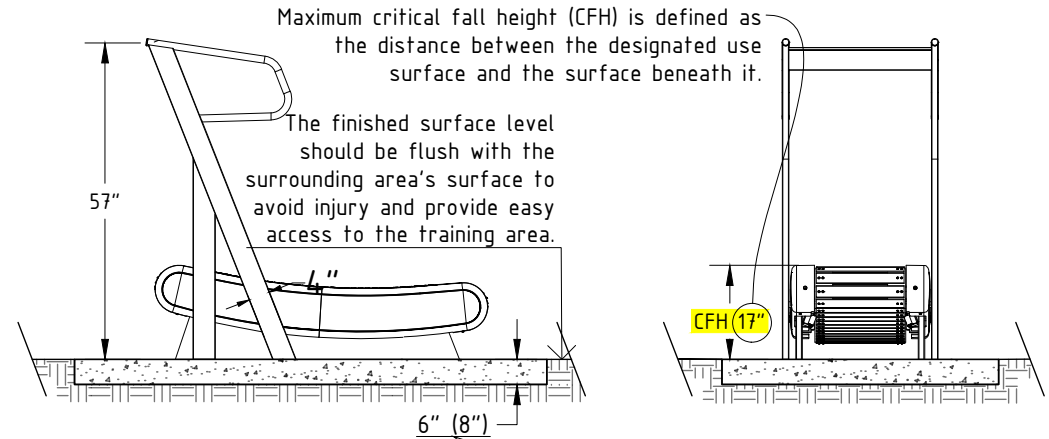
UNIT DIMENSIONS (INCLUDING CLEARANCE SPACE)



***Maximum critical fall height (CFH) is defined as the distance between the designated use surface and the surface beneath it.**

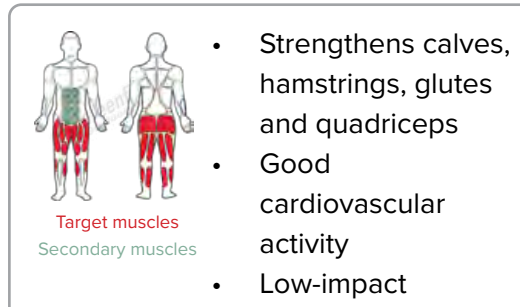
What surfacing should I use? Surfacing requirements and recommendations vary depending on several aspects of each project. Contact us and we can help you determine what's right for your space.

SIDE VIEW OF THE UNIT



Unit Dimensions (Unit)	60" x 28" x 57"
Unit Dimensions (including clearance space)	79" x 97"
Unit Height	57"
Users	1
Critical Fall Height (CFH)*	< 24"

In order to honor our commitment to quality and safety, Greenfields Outdoor Fitness reserves the right to make changes and revise the design specifications without notice. Greenfields' units are designed to accommodate the majority of users age 14 and above; however, due to the nature of outdoor fitness equipment, units are "one size fits most." Greenfields Outdoor Fitness, Inc. shall not be liable for any personal injury to any person resulting from the use of this exercise equipment.



The Curved Treadmill Strengthens calves, hamstrings, glutes and quadriceps.

User Instructions

While holding on to armrest, step onto running surface. Walk or run according to abilities and desired workout level. Take care to start and stop in a slow and controlled manner.



RECOMMENDED DURATION:

Beginner	5 min
Intermediate	10 min
Advanced	20 min

User Guidelines

- No children under the age of 14 allowed without adult supervision.
- User assumes all risk and responsibility for using this exercise equipment.
- Consult a physician prior to starting any physical fitness training program. Potential users with known adverse health conditions should not use this equipment. Before using the equipment, check for loose parts, breaks, cracks, or other conditions needing attention.
- Perform exercises according to instructions on each piece of the equipment.
- Breathe normally during physical activity.
- Perform resistance exercise according to instructions in a slow, controlled manner over the full range of motion.
- Performing the movements too quickly may result in an injury. Use the equipment only within your capabilities.
- Pay attention to how your body feels. In the event that pain or discomfort occurs, stop the exercise immediately and consult your physician.
- Rest and recovery are important between sets and exercises. Allow 2 minutes of rest between sets of exercises or sessions.
- Keep fingers, toes, and hair or other non-participant body parts away from equipment elements during exercise.
- Keep a safe distance from exercise equipment when in use by others.

Materials & Design

All Greenfields units are powder coated and galvanized to stand up to harsh climates. Our tamper-resistant hardware ensures that units last even in challenging urban environments. Contact us for detailed technical specifications.

Main unit structure warranty: 10 years.
Contact us for detailed warranty information.

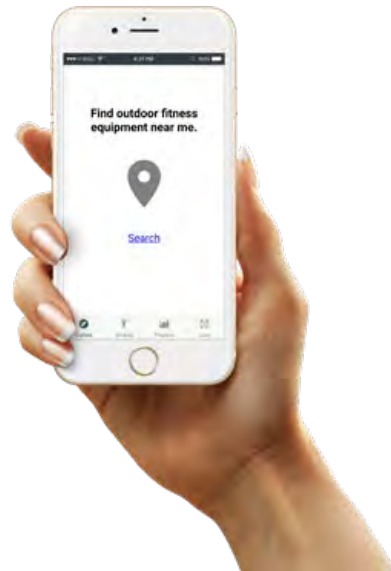


VIEW THE VIDEO

<https://gfoutdoorfitness.com/ubx958-video/>

UBX958 Curved Treadmill specification

- A. Metal construction
- B. Durable lightweight tread provides longevity and ease-of-use
- C. Bottle water holder feature
- D. Separate user guideline mounted on main unit
- E. Phone holder feature
- F. Self-propelled design - running toward front end increases speed



The Greenfields Outdoor Fitness App is here to help you on your fitness journey. With it you can:

- Locate outdoor gyms closest to you
- Learn how to use each piece of equipment
- Scan to watch demo videos
- Keep track of each workout
- See your progress over time

Customer Support Center is available to assist with installation and technical questions.

Greenfields' improved design means greater user safety and product durability - part of our longstanding commitment to bring users only the best in the outdoor fitness experience.